

D06G Pressure Regulating Valve

Braukmann

SPECIFICATION DATA



FEATURES

- Noncorroding unitized cartridge contains all working parts and is easily replaceable.
- Outlet pressure range from 15 to 130 psi in all models, inlet rating 400 psi.
- Includes built-in strainer and thermal bypass.
- Narrow design to accommodate restricted installation requirements.
- Balanced seat construction provides superior pressure regulation.
- Inlet and outlet are internally threaded NPT, and externally threaded for use with union assemblies.
- Gauge taps provided on all models.

APPLICATION

The Honeywell Braukmann D06G Valve is a high quality pressure regulating valve that maintains a constant outlet pressure over a wide range of inlet supply pressures. It is ideally suited for potable water and irrigation applications requiring accurate regulation.

The wide outlet pressure range, high inlet pressure, and compact design allow flexibility in installation and application.



SPECIFICATIONS

Model:

D06G Pressure Regulating Valve.

Construction Materials:

Body: Bronze.
Internal Parts: Stainless steel, NBR, and engineered plastics.
Regulator Mechanism: Fabric reinforced diaphragm.

Thermal Bypass Relief:

Integral thermal bypass relief mechanism on all models.

Seat Design:

Balanced single seat.

Inlet Pressure (Maximum):

400 psi.

Reduced Pressure Range:

15 to 130 psi (all models).

Outlet Pressure:

Factory set at 60 psi.

Differential:

14 psi minimum (for optimum regulation).

Reduced Ratio:

10:1 maximum.

Temperature (Maximum):

180°F (82°C).

Ambient Temperature Range:

33°F to 140°F (1°C to 60°C).

Pipe Sizes Available:

1-1/2 and 2 in.

Connections:

All models have internal NPT on inlet and outlet and external union connection on inlet and outlet.
One union kit is supplied.

Strainer Screen Size:

0.040 in. (1.0 mm), equivalent to 18 mesh.

Gauge Taps:

1/4 in. NPT (two, one on each side of body).

Weight (With One Union):

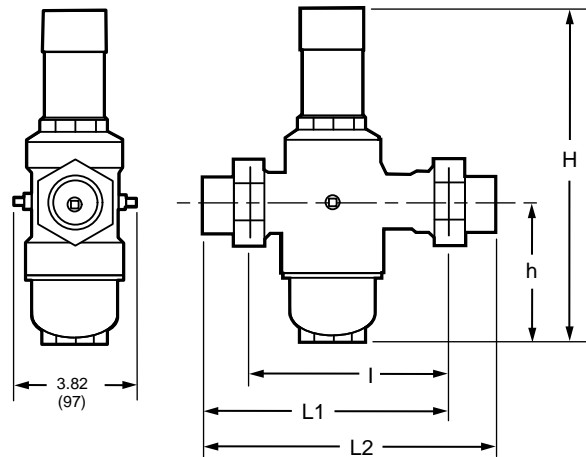
1-1/2 in. is 7.7 lb (3.5 kg).
2 in. is 8.5 lb (3.9 kg).

Approvals:

ASSE 1003.
City of LA.
CSA.
IAPMO.

Dimensions:

See Fig. 1.



DIMENSIONS IN IN. (MM)				THREADED		SWEAT	
SIZE	H	h	l	L1	L2	L1	L2
1-1/2	11-13/16 (299)	5 (126)	6-3/8 (163)	7-13/16 (198)	9-3/16 (234)	7-7/8 (201)	9-3/8 (239)
2	11-13/16 (299)	5 (126)	6-3/8 (163)	7-7/8 (200)	9-5/16 (237)	8-5/16 (211)	10-3/16 (259)

M11203

Fig. 1. D06G installation dimensions in in. (mm).

Water Capacities (See Table 1)

The suitability of a given regulator size is dependent on the pressure requirements of each installation. To determine the pressure regulator valve size required for a specific installation, calculate the following:

- ❶ Pressure differential between inlet and outlet pressure in pounds per square inch (psi).
- ❷ Capacity in gallons per minute (gpm), and
- ❸ Allowable reduced pressure falloff in psi.

Given these variables, use Table 1 to determine the proper size pressure regulator valve for your application.

Example: An installation has 135 psi inlet pressure, 60 psi outlet pressure (75 psi pressure differential). If 30 gpm capacity is required with only 10 psi falloff allowable, a 1-1/2 in. D06G is required. This pressure regulator valve allows a flow capacity up to 46 gpm with a 10 psi falloff at a no flow pressure differential of 75 psi.

Table 1. Water Capacities.

Size (in.)	Reduced Pressure Fall off (psi)	Pressure Differential Between Inlet and Outlet (psi)—No Flow							
		25		50		75		100	
		Flow Capacity (US gpm)	Velocity (ft/sec)	Flow Capacity (US gpm)	Velocity (ft/sec)	Flow Capacity (US gpm)	Velocity (ft/sec)	Flow Capacity (US gpm)	Velocity (ft/sec)
1-1/2	6	13	2.0	15	2.4	17	2.7	21	3.3
	10	36	5.7	43	6.8	46	7.2	54	8.5
	15	65	10.2	76	12.0	84	13.2	96	15.1
	20	88	13.9	102	16.1	114	18.0	132	20.8
2	6	15	1.4	18	1.7	22	2.1	27	2.6
	10	41	3.9	49	4.7	57	5.4	66	6.3
	15	75	7.2	88	8.4	101	9.7	114	10.9
	20	104	9.9	124	11.9	141	13.5	163	15.6

D06G PARTS AND ACCESSORIES

Order Number Description

Replacement Parts

272858	Union Gasket, fits all D06 and DS06, 1-1/2 in., 10 per bag.
272859	Union Gasket, fits all D06 and DS06, 2 in., 10 per bag.
K06B1030	Strainer Kit for D06G and DS06G, 1-1/2 in. and 2 in., includes strainer, strainer support, and strainer cup O-ring.
K06D1044	Cartridge Kit for all D06 and DS06, 1-1/2 in. and 2 in., includes cartridge, cartridge O-ring, strainer cup O-ring, U-seal, and protection washer.
272852	Strainer Cup for D06G and DS06G, 1-1/2 in. and 2 in., includes plastic strainer cup and strainer cup O-ring.
272860	Bonnet kit for D06G, 1-1/2 in. and 2 in., includes preassembled bonnet, protection washer, and spring.
272862	Bonnet kit for DS06G, 1-1/2 and 2 in. , includes preassembled bonnet, protection washer, and spring.

Union Kits

K06U1037	Union Kit NPT, 1-1/2 in., includes female NPT threaded tailpiece, union nut, and gasket, and fits all 1-1/2 in. D06 and DS06 Valves.
K06U5034	Union Kit Sweat, 1-1/2 in., includes sweat tailpiece, union nut, and gasket, and fits all 1-1/2 in. D06 and DS06 Valves.
K06U1045	Union Kit NPT, 2 in., includes female NPT threaded tailpiece, union nut, and gasket, and fits all 2 in. D06 and DS06 Valves.
K06U5042	Union Kit Sweat, 2 in., includes sweat tailpiece, union nut, and gasket, and fits all 2 in. D06 and DS06 Valves.

Order Number Description

Service Tools

MT06A1009	Service Tool for bonnet and strainer cup, fits all 1-1/2 in. and 2 in. D06G and DS06G Valves. (Also fits D06U 1-1/2 in. Valves.)
MT06A1017	Service Tool for bonnet and strainer cup, fits all 1-1/2 in. and 2 in. D06G and DS06G Valves. (Also fits D06U 2 in. Valves.)

Pressure Gauges

M39A1032	Pressure Gauge with bottom inlet, 0 to 160 psi.
M39A1056	Pressure Gauge with back inlet, 0 to 160 psi (recommended for use with D06G and DSO6G).
MT194A1006	Pressure Gauge and recording gauge, with hose bib connection, 0 to 300 psi.

Honeywell Braukmann

Home and Building Control

Honeywell Inc.
Honeywell Plaza
P.O. Box 524
Minneapolis MN 55408-0524

Home and Building Control

Honeywell Limited-Honeywell Limitée
155 Gordon Baker Road
North York, Ontario
M2H 2C9

Helping You Control Your World®